

PowerLite™ Pinner HN25C

MAX PowerLite 400 psi system

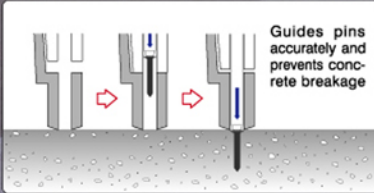
MAX developed the world's first high-pressure pneumatic nailing system and introduced it to the Japanese market in 1994. For the past decade the MAX PowerLite 400 psi system has revolutionized the construction industry in Japan. Powered by the 400 psi technology, the MAX PowerLite tools are approximately 40% lighter and 20% smaller than most competitors tools without sacrificing power. Now, the MAX PowerLite system is available in the U.S. market. Experience the Next Generation in nailing technology with MAX.

FEATURES

- Dial adjustable depth of drive control



- Long Contact Arm (Patent Pending)



- Slim body



Drives pins 1/4" from wall

Only **4.4 lbs**



- Side exhaust with built-in silencer

- Unique tangle-free swivel hose fitting



- Trigger Lock for safety

- 100 pin magazine capacity



Comes with plastic carry case



PowerLite™ Compressor AKHL1050E

For the PowerLite HN25C operation, the PowerLite Compressor and PowerLite Hose are required.

PowerLite Sub tank AKTH5

- Regular 80-120 psi tools



- High pressure PowerLite tools



PowerLite Hose KH100FT (100 feet)



Special fitting only for PowerLite Hose



PowerLite Compressor AKHL1050E
115 V direct drive



Lightweight 51.7 lbs Compact

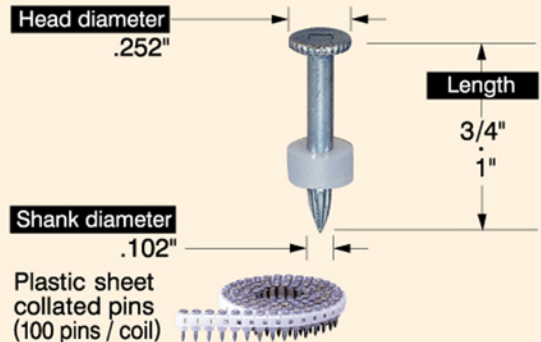
COMPRESSOR SPECIFICATIONS

MODEL	AKHL1050E
DIMENSIONS	11-1/4"(H) × 13-3/4"(W) × 23-1/2"(L)
WEIGHT	51.7 lbs.
POWER SUPPLY	115 V / 60 Hz
RATED CURRENT	15 A
PUMP	Oil-less direct drive
MOTOR POWER	2 HP
TANK	2.6 Gal
RPM	2,350 rpm
AIR DISPLACEMENT	3.5 CFM @100 psi / 2.8 CFM @300 psi

APPLICATIONS

- Drywall track fastening to concrete

APPLICABLE FASTENERS



TOOL SPECIFICATIONS

MODEL	HN25C
WEIGHT	4.4 lbs
DIMENSIONS	12" (H) × 3-1/4" (W) × 12" (L)
LOAD CAPACITY	100 pins
OPERATING PRESSURE	170 to 320psi

The specifications and design of the products in this catalog will be subject to change without advance notice due to our continuous efforts to improve the quality of our products.



MAX USA CORP.

257 East 2nd Street Mineola, New York 11501
Phone: 800-223-4293 Fax: 516-741-3272
www.maxusacorp.com

Dealer: